

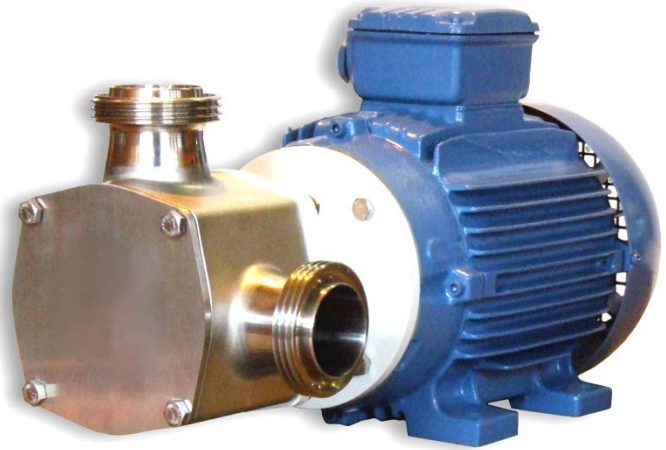
# JABSCO

a xylem brand

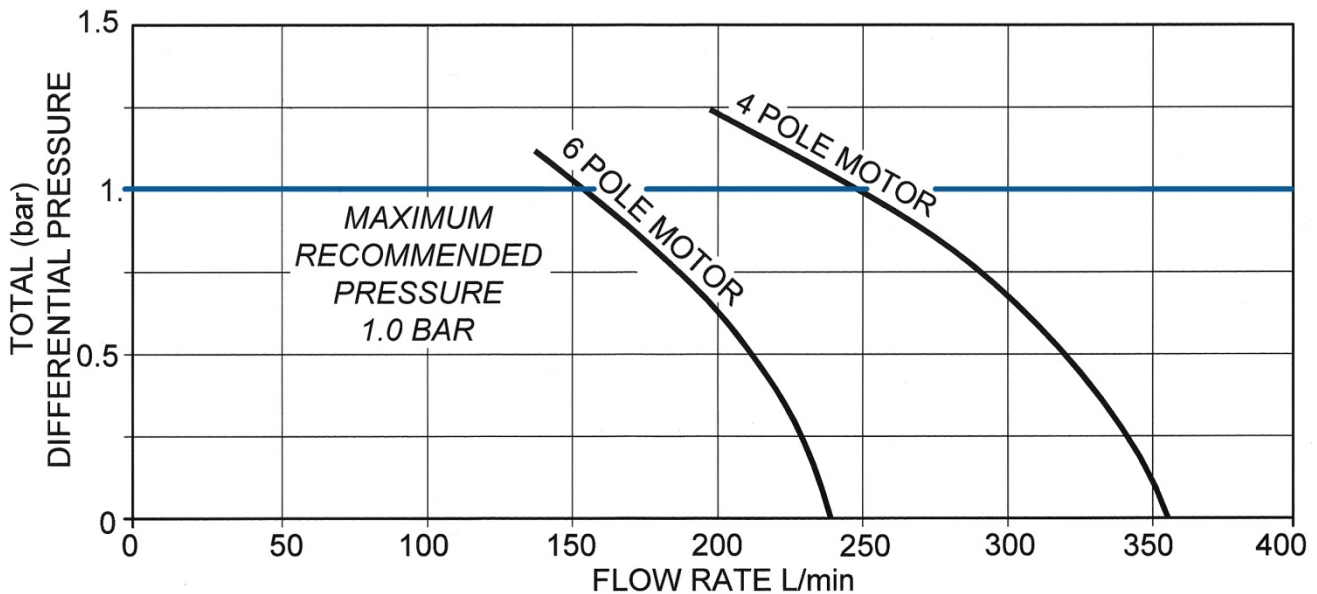
## 28520 SERIES FLEX IMPELLER HYGIENIC STAINLESS STEEL MOTOR PUMP UNITS (P370 size)

### FEATURES:

- Self primes from dry up to 3.5 metres
- Flows up to 355 litres per minute
- Pressures up to 1 bar. (Pressures over 1 bar will reduce shaft life)
- Handles soft solids up to 16mm diameter
- FDA Materials Certified
- Clean-in-Place (CIP) or easy strip clean
- Maximum viscosity:
  - 4 pole motor approx 150cP
  - 6 pole motor approx 700cP
- Low shear design



### PUMP PERFORMANCE:



### STANDARD MODELS:

MODEL	IMPELLER	PORTS	SEAL	MOTOR	SPEED	POWER
<b>28520-4105C</b>	3A Neoprene	2" RJT	Carbon / Ceramic	230/1/50Hz	4 pole	2.2kW
<b>28520-4105E3</b>	3A Neoprene	2" RJT	Carbon / Ceramic	230-400/3/50Hz	6 pole	1.5kW
<b>28520-4105H3</b>	3A Neoprene	2" RJT	Carbon / Ceramic	230-400/3/50Hz	4 pole	2.2kW

Other hygienic ports available: Tri-clamp, IDF/ISS, 3A Bevel seat, DIN11851, and SMS 1145

## 28520 SERIES HYGIENIC STAINLESS STEEL MPU

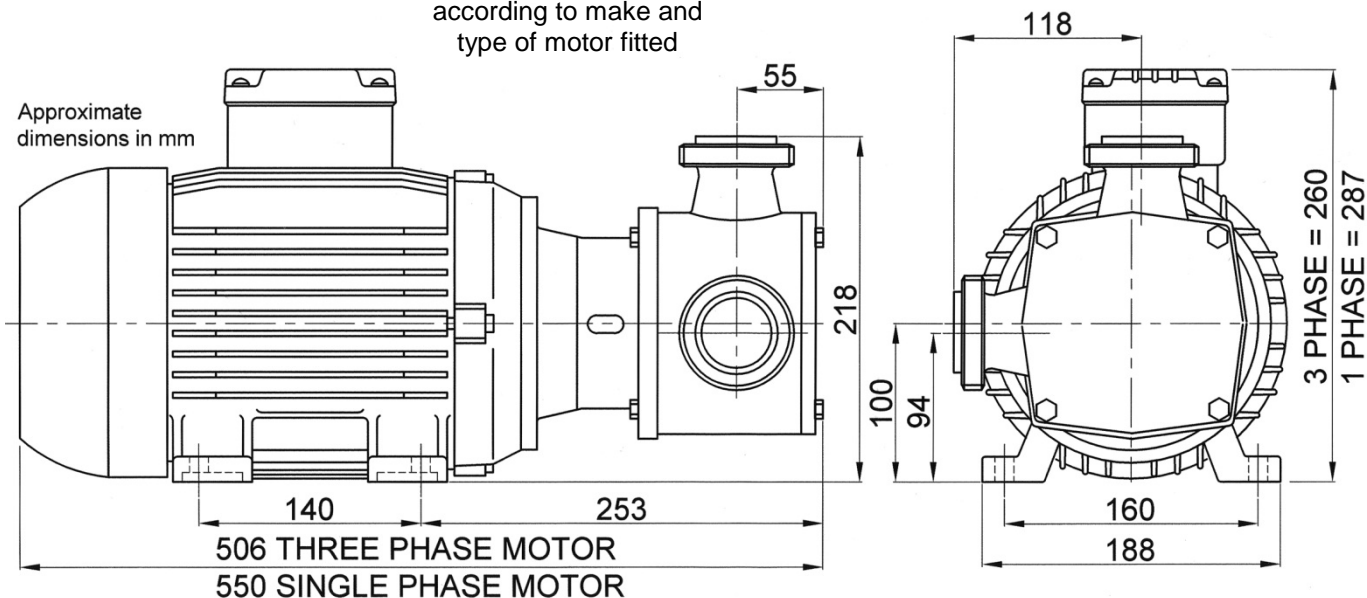
ELASTOMER OPTION	3A Neoprene	E.P.D.M.
TEMPERATURE RANGE	4°C to 65°C	4°C to 90°C

### SPECIFICATIONS:

SEAL OPTIONS:	Carbon / ceramic mechanical face seal (standard). Tungsten carbide / ceramic hard faced seal Flushed options for crystallising fluids
SEAL ELASTOMER:	Food grade nitrile
PUMP HEAD:	Stainless steel 316, machined interior and electro polished exterior finish
END COVER:	Stainless steel 316 grade
SHAFT:	Stainless steel 316 grade
MOTOR:	TEFV & IP55
MOTOR ADAPTOR:	Epoxy coated cast iron

### DIMENSIONS:

Dimensions will vary according to make and type of motor fitted



#### WARNING

Explosive hazard. **DO NOT** pump petrol, solvents, thinners or other flammable liquids with a flash point below 37°C (98°F)