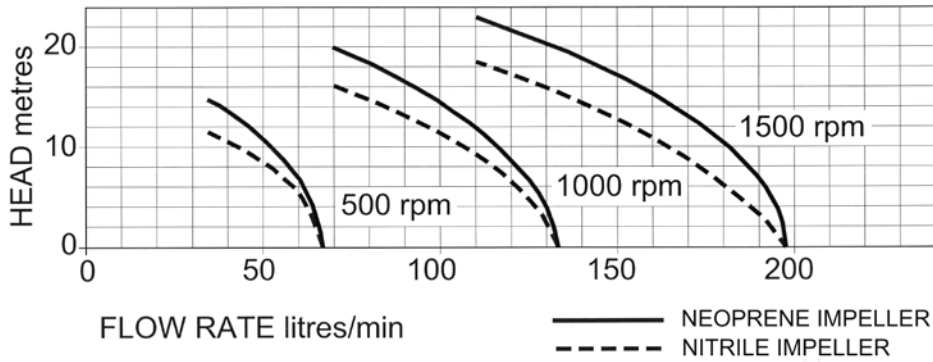


PERFORMANCE:

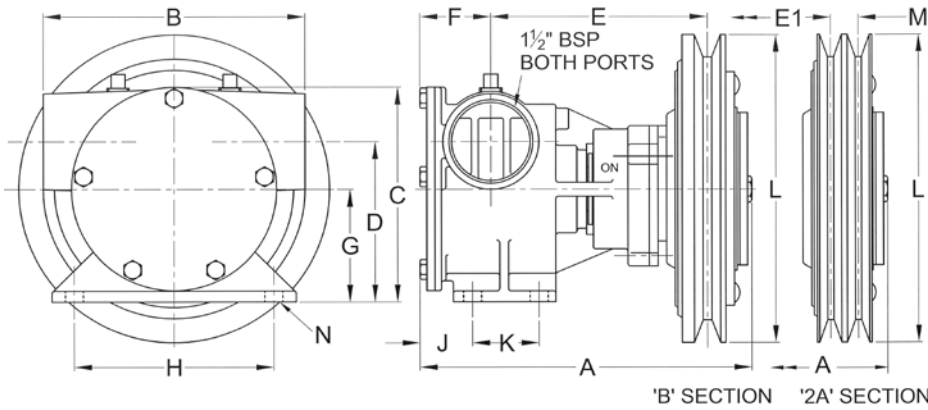


MODEL	Maximum flow rate		Maximum head	
	l/min	gall/min	metres	feet
50200-2*11	195	43	23	75
50200-2*03	195	43	18	59

Max Power absorbed 1800 watt at 1500rpm

DIMENSIONS:

WEIGHT: 9.5



A	B	C	D	E	E1	F	G	H	J	K	L	M	N
190	150	124	93	124	116	41	65	114	30	38	Ø178	15.8	Ø10

MATERIALS OF CONSTRUCTION:

Body	Bronze head, Cast Iron bearing housing
Impeller	Neoprene or Nitrile
Wearplate	Replaceable
Shaft	Stainless steel type 316
Shaft seal	Mechanical, Carbon-Ceramic
Bearings	Twin single row, ball type
Port type	1 1/2" BSP to BS21 (DIN2999)
Clutch type	Electro-magnetic 12v or 24v dc
Pulley	178mm dia A or B section

MODELS:

50200-2011	12v 2A groove, Neoprene Impeller
50200-2111	24v 2A groove, Neoprene Impeller
50200-2211	12v 1B groove, Neoprene Impeller
50200-2311	24v 1B groove, Neoprene Impeller
50200-2003	12v 2A groove, Nitrile Impeller
50200-2103	24v 2A groove, Nitrile Impeller
50200-2203	12v 1B groove, Nitrile Impeller
50200-2303	24v 1B groove, Nitrile Impeller



a xylem brand

**BRONZE FLEXIBLE
IMPELLER ELECTRO
MAGNETIC CLUTCH**

50200 SERIES



**PUMP with
1 1/2" BSP PORTS**

- * Constructed from marine quality bronze and stainless steel
- * Self-prime from dry up to 2.4m
- * Easy to service and maintain
- * Will tolerate abrasive wear
- * Handles hard and soft solids without clogging
- * Can pump in either direction
- * Will not airlock

Xylem Water Solutions UK Ltd
Bingley Road
Hoddesdon
Hertfordshire • EN11 0BU UK

Tel: +44 (0)1462 480380
Fax: +44 (0)1462 482422
mail@cleghorn.co.uk
www.jabscoshop.com

