



UTILITY PUMPS



80-size UTILITY PUMP with 1½" ports & DC electric motor

a xylem brand

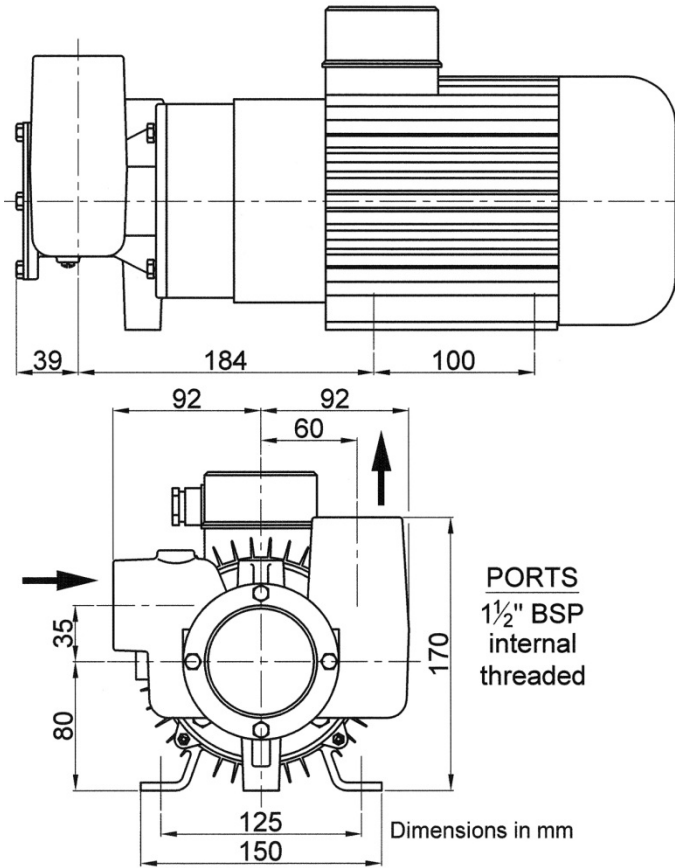
PUMP MODELS

CW342-37 24 volt d.c.

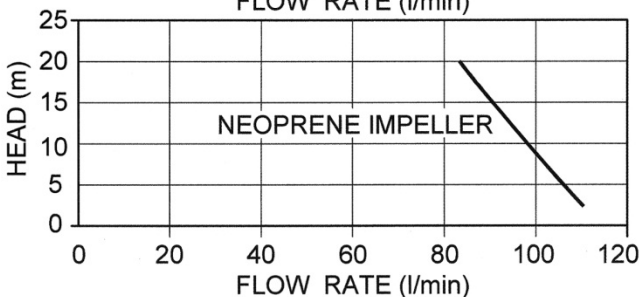
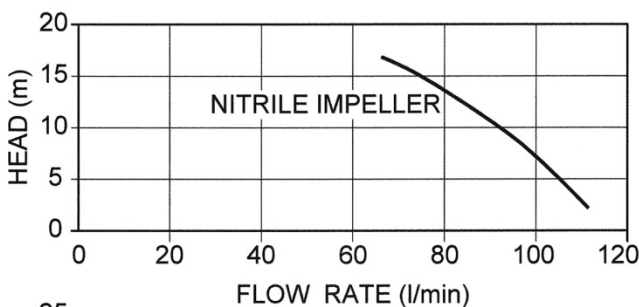
- ◆ Nitrile oil-resistant impeller fitted as standard.
 - ◆ Neoprene impeller version available.
- Also available: reduced flow versions for liquid viscosity up to 1000cp, and "Blackwater" versions for toilet waste discharge from boats. Check with your pump supplier.

SPECIFICATION

Pump body: bronze *Weight:* 20kg
Shaft: AISI316 stainless steel
Shaft seal: mechanical (carbon-ceramic)
Impeller: see pump models above
 Max. recommended liquid viscosity: 50cp. Check with your pump supplier if in doubt.
Motor:
 0.6kw, 2000rpm, totally enclosed, full load current 40 amps, IP54 enclosure



PUMP PERFORMANCE



- ◆ Rapid self-priming up to 3 metres vertical lift.
- ◆ Handles hard and soft solids up to 8mm in size.
- ◆ Can pump up to 90% entrained air.
- ◆ Up to 30 minutes dry running protection.
- ◆ Quick and simple to maintain
- ◆ Light, compact, portable and tough

WARNING
 Explosive hazard. Do not pump gasoline, solvents, thinners or other flammable liquids. To do so can cause an explosion resulting in injury or death

Performance figures are based on manufacturer's tests with water and are not guaranteed for any particular application

Product descriptions and specifications are subject to alteration without notice



Xylem Water Solutions UK Ltd
 Bingley Road • Hoddesdon • Hertfordshire • EN11 0BU • UK
 Telephone: +44 (0)1462 480380 Fax: +44 (0)1462 482422
 mail@cleghorn.co.uk www.jabscoshop.com

DOC557/11