



**TIL - series**  
**ELL - series**  
**axial blowers**

12/24 volt D.C.

and

230/400 volt A.C.

for

high volume air  
circulation in  
engine rooms and  
enclosed spaces

- high flow rates at low pressure
- air temperatures up to 80°C
- light alloy fan in robust steel casing
- sizes from 180 watts to 7.5kW
- suitable for vertical or horizontal mounting
- reversible direction of flow

# **GR**

## **BLOWERS**

FOR

# **BOATS**

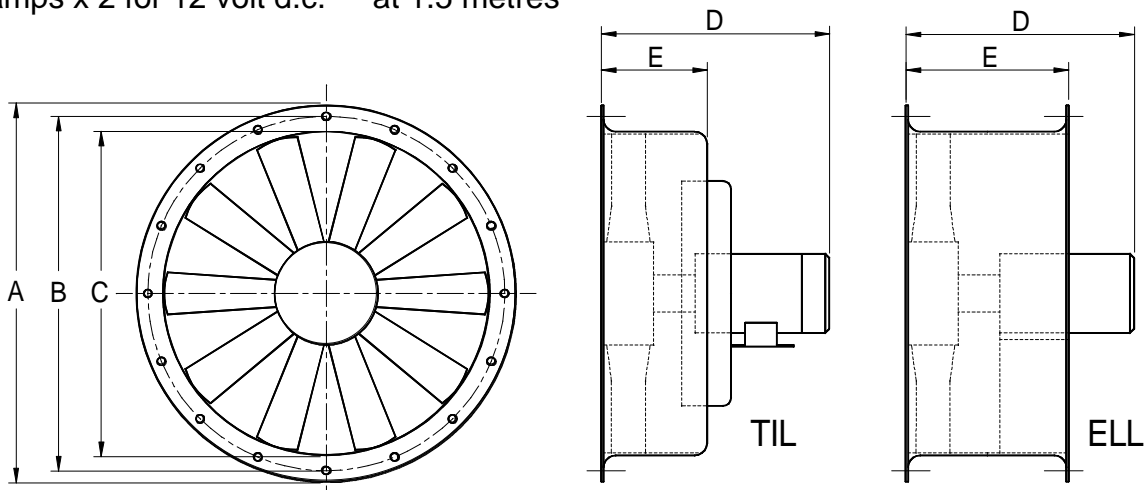
# GR AXIAL BLOWERS

## TIL - series ELL - series

Performance of selected models. Contact Sales Office for full details of this range.

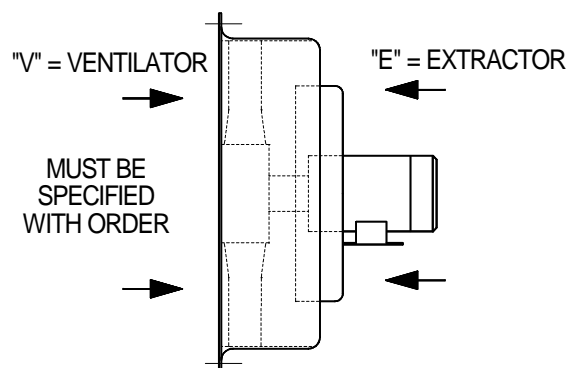
Type	MOTOR D.C. 12/24V	230V 1ph or 400V 3ph A.C.	RPM	CURRENT amps 24v*	NOISE dB/A**	MAX FLOW cu.m/min	MAX PRESSURE mm water gauge
TIL-MO 254	0.11 kW	0.18kW	1800	4	58	4	22
			1480		58	4	22
ELL 355	0.15kW	0.18kW	1500	5.5	62	13	52
			1450		61	12	52
TIL 400	0.26kW	0.18kW	1500	7	65	14	70
			1450		65	14	70
ELL 315/2	0.37kW	0.55kW	2100	14	68	22	74
			2800		75	35	76
ELL 400/2	0.6kW	1.1kW	2100	18	72	24	130
			2800		80	45	132
ELL 710/66	-	1.1kW	930	-	70	20	312
ELL 710/d	-	2.2kW	1450	-	76	40	360
ELL 800/e	-	4kW	1450	-	77	45	535
ELL 900/c	-	5.5kW	1450	-	82	50	680
ELL 900/d	-	7.5kW	1450	-	82	55	790

\*multiply amps x 2 for 12 volt d.c. \*\*at 1.5 metres



Type	A	B	C	D	E	Weight kg
TIL-MO 254	-	-	270	270	70	6
TIL 400	465	438	400	280	105	13.5
ELL 315	384	356	315	255	200	11
ELL 355	420	495	355	255	200	10
ELL 400	465	438	400	280	200	11.5
ELL 710	785	751	710	385	300	55
ELL 800	875	837	800	500	315	96
ELL 900	975	934	900	530	355	130

Dimension in mm



Supplied by: